



Powering Innovation



PROTECTION + AUTOMATION + CONTROL

**SINGLE POLE INSTANTANEOUS /
DEFINITE TIME EARTH FAULT RELAY
JRC 932**

JVS ELECTRONICS PVT. LTD.

#121, Manchanayakanahalli,
Bangalore Mysore Highway, Bidadi,
Ramanagara District - 562 109, Karnataka, India
+91 94808 26272, +91 94808 26260
bangalore@jvselectronics.in, www.jvselectronics.in

FEATURES

- ◆ Software based design
- ◆ Wide setting range
- ◆ Wide auxiliary supply
- ◆ Low burden

Application

The relay provides earth fault protection of Generators, Motors, Transformers, Capacitors, Feeder etc.



PRINCIPLE OF OPERATION

The relay provides earth fault protection for power systems. Relay operating time is determined by the set definite time. The relay measures the current from input CT and if it exceeds the set threshold, it extends a trip signal after the operating time, which is determined by set definite time. The relay output contacts are self reset type. TEST button facilitates testing of relay contacts for trip and alarm circuits.

TECHNICAL DATA

RATINGS

Current rating	:	1A / 5A
Auxiliary Supply	:	20 to 60V DC
	:	80 to 260V AC / DC

SETTINGS

Earth fault setting	:	5 to 80% in steps of 5%
E/F Hi-set setting	:	2 to 16 times the earth fault setting in steps of 1
Definite time setting	:	0.1s to 3.2s in steps of 0.1s
	:	0.5s to 16s in steps of 0.5s

OVER LOAD RATINGS

Current input	:	2 times rated continuous
	:	20 times Rated for 3s

BURDEN

Current input	:	0.2VA at rated 5A
	:	0.05VA at rated 1A
Aux. Supply	:	Less than 3W (Non operated)
	:	Less than 5W (Operated)

ACCURACY

Operating value	:	±5%
Operating Time	:	± 5% or ±20ms
Reset time	:	200 to 250ms

CONTACT RATINGS

Contact 1 (Trip)	:	10A at 24V DC / 230V AC
Contacts 2 & 3	:	5A at 24V DC / 230V AC

CONTACTS DURABILITY

Unloaded contact	:	10,000 Operations
Loaded contact	:	20,000 Operations

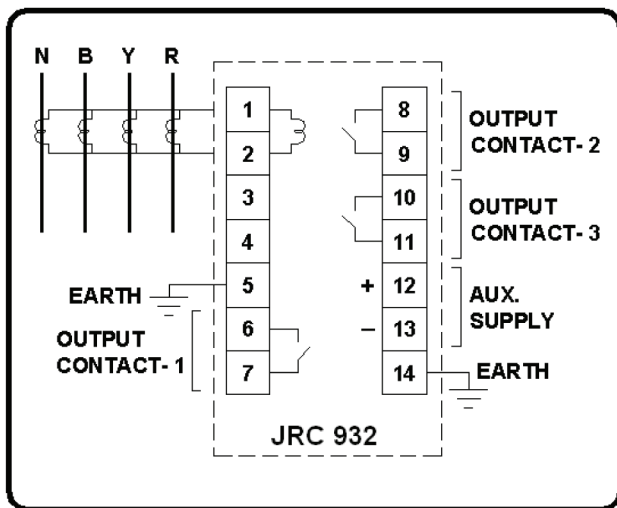
MECHANICAL DESIGN

Weight	:	App. 550g
Case size	:	96 mm sq, depth 105mm
Installation	:	Flush mounting
Panel cutout	:	92x92mm

STANDARD COMPLIANCE

Accuracy test	:	IEC 60255-151
Insulation test	:	IEC 60255-27
1MHz HFD test	:	IEC 60255-22-1

TERMINAL DIAGRAM



ORDERING INFORMATION

Current rating	:	1A / 5A
Relay Type	:	JRC 932
Aux. Supply	:	20 to 60V DC or
	:	80 to 260V AC / DC